

IMPORTANT SAFETY INSTRUCTIONS

When using electrical appliances, especially when children are present, take basic safety precautions, including the following:

READ ALL INSTRUCTIONS BEFORE USING KEEP AWAY FROM WATER FOR HOUSEHOLD USE ONLY

DANGER – Any appliance is electrically live, even when the switch is off. To reduce the risk of death or injury by electric shock:

1. **Unplug this appliance from electrical outlet immediately after using (except when charging unit).**
2. Do not place or store appliance where it can fall or be pulled into a tub or sink.
3. Do not use while bathing or in the shower.
4. Do not place in, or drop into water or other liquids.
5. If appliance has fallen into water, do not reach for it. **Unplug immediately.**
6. Unplug this appliance before cleaning.

DO NOT REACH INTO THE WATER

- If you are looking for an ultra-close finish, you can use the trimmer without the comb guide. This will give you an extremely short cut.

IMPORTANT: Please note that when using the trimmer without the comb guide, the cutting length will be below 0.4mm. The length setting shown on the LCD screen will no longer be relevant when the comb guide is detached.

STUBBLE TRIM BEST TIPS

- Use on clean, dry hair.
- If possible, when using for the first time, try to grow your facial hair for a few days before cutting so you can trim down to a level that is best for you.
- Set the cutting length as desired.
- It is always best to start cutting with a longer length first, then trim again if the length is longer than desired.
- Hold the trimmer against the hair. The teeth of the comb guide should be pointing upward and should be flat against the face.
- Move the trimmer upward through the hair, a little at a time, against the direction of hair growth. The floating and contouring head will follow the curves of your face to ensure both accuracy and comfort.
- The trimmer will work most effectively when cutting through the hair at its own speed – never force it through the hair. You may experience a little resistance when trimming the neck area, where hair is thicker and grows in many different directions. This is completely normal. Just like when shaving, extra time should be given when trimming under the neck area.
- Never switch the trimmer off while in the hair.

WARNING –

To reduce the risk of burns, electric shock, fire, or injury to persons:

1. **Never leave a plugged-in appliance unattended.**

2. Use close supervision when the appliance is used by, on or near children or individuals with certain disabilities.
3. Use this appliance only for its intended purpose as described in this manual. Do not use attachments not recommended by the manufacturer. Do not use an extension cord to operate this appliance.
4. Keep the cord away from heated surfaces.
5. Do not pull, twist or wrap the cord around the appliance.
6. Never drop or insert any object into any opening on the appliance.
7. Do not use this appliance with a damaged or broken comb or with teeth missing from the blades, as injury may occur. Before use, make certain blades are aligned properly and oiled.
8. Do not use outdoors or operate where aerosol (spray) products are being used or where oxygen is being administered.
9. Never operate the appliance with the air openings blocked or while on a soft surface, such as a bed or couch, where the air openings may be blocked. Keep the air openings free of lint, hair, and other debris.
10. Always attach plug to appliance first, then to outlet. To disconnect, turn all controls to OFF, then remove plug from outlet.
11. Avoid letting skin come into direct contact with moving blades.
12. Do not short the polarity (output cord); ensure that jack is plugged into the unit before

CLEANING & MAINTENANCE

- Regular cleaning will maintain the high performance of your trimmer.
- Before cleaning or maintenance, switch off and remove the power cord if connected.
- Detach the comb guide by gently lifting the front of the comb guide from both sides and flipping it over to the back of the unit. Lock it into position by clicking it securely onto the fastener on the back of the handle.
- Use the cleaning brush supplied to brush away any hair and debris. Do not use a sharp object to clean the trimmer blade.
- The blades can be removed to aid cleaning.
- To remove the blades, hold the handle of the trimmer with one hand, place your thumb underneath the blades and push the blades away from the handle.
- Gently blow away any hair trapped beneath the blades.
- The blades can be rinsed under the tap. After rinsing, the blades may need to be oiled. See oiling instructions that follow.
- Be sure the blades are dry before reattaching to the trimmer body.
- Be sure to clean the blades after each use and before storing.
- It is highly recommended to oil the blades once a month. This ensures optimum cutting performance. Also, oil the blades before you use the trimmer for the first time. To oil the blades, make sure the unit is switched on. Gently squeeze the oil tube and apply 1 or 2 drops of oil onto the blades. Leave the unit on for a few seconds more to allow the oil to thoroughly spread along the length of the blades. Switch the unit off and remove any excess oil by gently dabbing with a cloth.

plugging the adapter into outlet.

13. This power unit is intended to be correctly oriented in vertical floor mount position.
14. **This appliance is not a toy. Keep away from children.**

15. For connection to a power supply not in the U.S.A., use an attachment plug adapter of the proper configuration for the power outlet.

FEDERAL COMMUNICATIONS COMMISSION NOTICE

WARNING: Changes or modifications to this unit not expressly approved by the party responsible for compliance could void the user's authority to operate the equipment.

NOTE: This equipment has been tested and found to comply with the limits for a Class B digital device, pursuant to Part 15 of the FCC Rules. These limits are designed to provide reasonable protection against harmful interference in a residential installation. This equipment generates, uses and can radiate radio frequency energy and, if not installed and used in accordance with the instructions, may cause harmful interference to radio communications. However, there is no guarantee that interference will not occur in a particular installation. If this equipment does cause harmful interference to radio or television reception, which can be determined by turning the equipment off and on, the user is encouraged to try to correct the interference by one or more of the following measures:

- Reorient or relocate the receiving antenna.
- Increase the separation between the equipment and receiver.
- Connect the equipment into an outlet on a circuit different from that to which the receiver is connected.

BATTERY DISPOSAL

This appliance contains a nickel metal hydride battery. To protect the environment, this appliance and its battery must be disposed of safely. At the end of its life, please take this appliance to a recycling center, where the internal rechargeable battery should be removed by a professional and recycled separately. For more information about the recycling of electrical and battery-operated appliances, please contact your local council office or your household waste disposal service. For specific enquiries regarding the replacement of batteries in this product, please contact our Conair Consumer Care Line.



CONTAINS NICKEL METAL HYDRIDE BATTERIES. MUST BE COLLECTED, RECYCLED OR DISPOSED OF PROPERLY. DO NOT DISPOSE OF IN THE MUNICIPAL WASTE.

- Consult the dealer or an experienced radio/TV technician for help.

SUPPLIER'S DECLARATION OF CONFORMITY

Brand: Conairman®
Model No.: GMT980
Description: Trimmer
Responsible Party: Conair LLC, 1 Cummings Point Road, Stamford, CT 06902 (203) 351-9000
Standards: FCC Part 15 Subpart B, ANSI C63.4-2014
This device complies with Part 15 of the FCC Rules. Operation is subject to the following two conditions:
(1) This device may not cause harmful interference, and (2) This device must accept any interference received, including interference that may cause undesirable operation.

DATE OF ISSUE: 09/17/2021

SAVE THESE INSTRUCTIONS OPERATING INSTRUCTIONS USER MANUAL

Before using the Class 2 Power Supply, read these instructions carefully.

Use with adapter CA11
Rated input voltage: 100–240V AC, 50/60Hz 0.2A Max
Rated output: 3.6V DC 1000mA

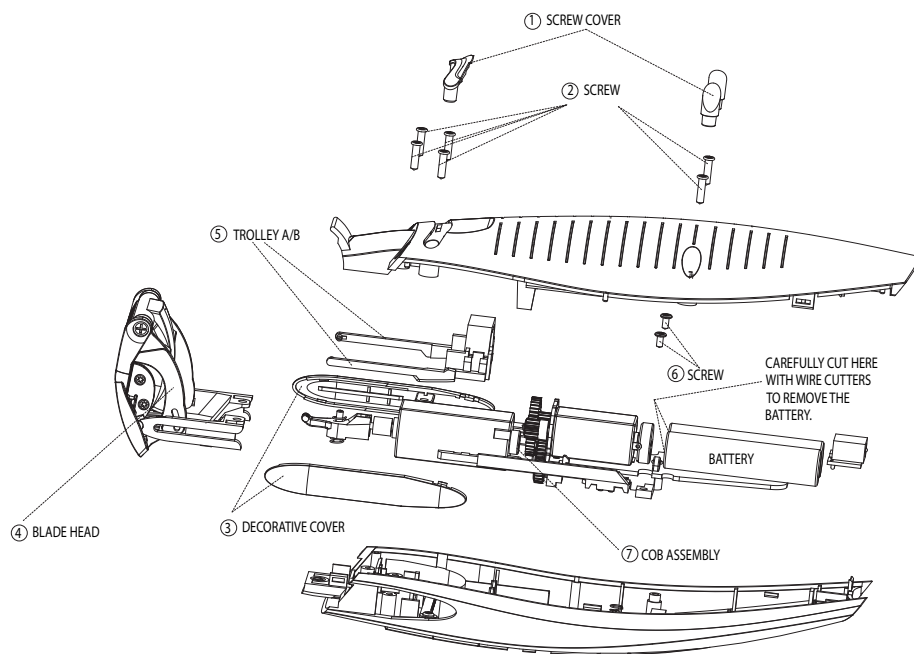
CAUTION: Dry location use only. Do not expose to liquids, vapor or rain. Do not operate any appliance that has a damaged output cord or housing. Be sure voltage is correct before plugging in.

Maintain your look every day with the next generation in stubble control technology. The Close Trim Precision Trimmer has 15 ultra-precise length settings, so you can maintain your preferred facial hairstyle at all times. Whether you're looking for a short shadow look, a longer stubble look, or even a short beard, the Close Trim Precision Trimmer is the ultimate in stubble control. The digital length control gives precise adjustment from a 0.4mm–5.0mm shadow so you can get exactly the look you want. The unique floating, contouring head tracks the curves of your face for exceptional accuracy and comfort to give you an ultra-precise stubble shave.

FEATURES

- Unique floating, contouring head tracks the curves of your face for exceptional accuracy and comfort.
- Digital length control from a 0.4mm–5.0mm shadow with precise automatic adjustments for ultimate accuracy.
- Advanced power performance with long-lasting dual-battery system for reliable and fast stubble shaving.
- Advanced blade technology with electro-chemically formed blades for extreme sharpness and durability.
- LCD screen displays selected length and charge level.
- Protective comb guide delivers ultimate length consistency and is removable for easy cleaning.

BATTERY REMOVAL INSTRUCTIONS



- Rapid charging system—90 minute charge provides 60 minutes of use or 5-minute quick charge provides power for a single stubble shave.
- Ergonomic design provides curved body for easy control and complete comfort in use.

INSTRUCTIONS FOR USE

TAKING CARE OF YOUR TRIMMER OILING THE BLADES

1. Oil the trimmer before first use and once a month.
2. Over a piece of newspaper, turn the trimmer on.
3. Hold and point the blades downward.
4. Spread one drop of oil across the blades.
5. Turn the trimmer off and wipe away any excess oil.

NOTE:

1. Do not over-oil the blades, as this can damage the motor.
2. Do not oil the motor bearing, as it is permanently lubricated.
3. **KEEP OIL AWAY FROM CHILDREN.**

IMPORTANT: CHARGING

FIRST-TIME USE

The Close Trim Precision Trimmer is very easy to use, but before you do anything, you must take the time to charge the unit for 16 hours prior to its first use. Even if you want to use it plugged into your outlet, this initial super-charge ensures optimum power performance to

LIMITED THREE-YEAR WARRANTY (U.S. AND CANADA ONLY)

Conair will repair or replace (at our option) your unit free of charge for 36 months from the date of purchase if the appliance is defective in workmanship or materials.

To obtain service under this warranty, return the defective product to the service center listed, together with your purchase receipt. California residents need only provide proof of purchase and should call 1-800-3-CONAIR for shipping instructions. In the absence of a purchase receipt, the warranty period shall be 36 months from the date of manufacture.

ANY IMPLIED WARRANTIES, OBLIGATIONS, OR LIABILITIES, INCLUDING BUT NOT LIMITED TO THE IMPLIED WARRANTY OF MERCHANTABILITY AND FITNESS FOR A PARTICULAR PURPOSE, SHALL BE LIMITED IN DURATION TO THE 36-MONTH DURATION OF THIS WRITTEN, LIMITED WARRANTY. Some states do not allow limitations on how long an implied warranty lasts, so the above limitations may not apply to you.

IN NO EVENT SHALL CONAIR BE LIABLE FOR ANY SPECIAL, INCIDENTAL, OR CONSEQUENTIAL DAMAGES FOR BREACH OF THIS OR ANY OTHER WARRANTY, EXPRESS OR IMPLIED, WHATSOEVER. Some states do not allow the exclusion or limitation of special, incidental, or consequential damages, so the above limitation may not apply to you.

This warranty gives you specific legal rights, and you may also have other rights, which vary from state to state.

give smooth, fast trimming every time. After the first charge, a full charge should take 90 minutes. Maximum battery capacity will be reached only after 3 charging/discharging cycles. To charge:

- Connect the power adapter to the socket on the underside of the trimmer.
- Plug the power adapter into a suitable outlet.
- Always check that the charging indicator on the LCD comes on when you connect the power lead into the product.

REGULAR CHARGING

• A full charge should take 90 minutes and will supply enough power for a minimum of 60 minutes of continuous cordless use. The remaining battery life is shown on the LCD display.

• In order to maintain the optimum capacity of the rechargeable battery, the appliance should be recharged for 16 hours approximately every 3 months.

• The trimmer comes with a quick-charge feature. A 5-minute charge will provide enough power for approximately 3 minutes of use.

OPERATION WITH POWER CORD (NOT CORDLESS)

- Connect the adapter to the base of the appliance, plug the adapter into a suitable electrical outlet and the appliance is now ready for use.
- Always ensure the trimmer is switched off and unplugged after use unless you intend to charge the trimmer.

SWITCHING ON/OFF

To switch the trimmer on press the power ON/OFF button and release. The selected length will appear on the LCD display. To switch the trimmer OFF, press the power ON/OFF button and release. This will display the battery time remaining in minutes before it disappears.

TRAVEL LOCK

To ensure the trimmer does not accidentally turn on when traveling, it features a travel lock:

To lock the trimmer, hold the ON/OFF button for 3 seconds, the comb guide will return to start position and power will shut off. A countdown of an additional 3 seconds will appear on the LCD display. After the 3 second countdown, a pad lock will appear on the screen.

To unlock the travel lock, hold the ON/OFF button. A 3 second countdown will appear on the LCD screen. After 3 seconds the trimmer will turn on.

When charging the unit, the travel lock is automatically deactivated.

PREPARATION FOR USE

Always inspect the trimmer before use to ensure the cutting head is free of hair and debris and is running smoothly.

USING THE COMB GUIDE

The comb guide allows you to change the cutting length of your trimmer. You'll need to experiment to find your preferred length, but as a guide, 0.4mm will give you very short stubble, and 1.6mm will give you a longer stubble look. 2mm+ will give you a short beard.

- Ensure the comb guide is correctly positioned by pushing the comb guide gently downward to secure in place.

- Use the digital touch control UP or DOWN button to adjust the telescopic comb guide to the required length.

• The cutting lengths are displayed on the LCD screen in millimeters (mm) – scroll through the available length settings with the digital touch controls. There are 15 length settings available: 0.4mm, 0.6, 0.8, 1.0, 1.2, 1.4, 1.6, 1.8, 2.0, 2.5, 3.0, 3.5, 4.0, 4.5, 5.0mm.

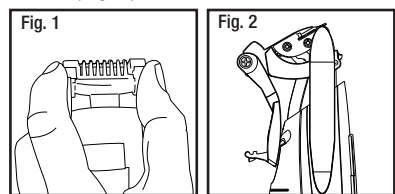
• Select your desired length – the length setting will then remain displayed on the LCD screen.

• Push the power button to switch the trimmer on.

USING THE TRIMMER WITHOUT THE COMB GUIDE

Using the trimmer without the comb guide is ideal for detailing/shaping and general tidying of edges.

- To detach the comb guide, gently hold the trimmer in one hand and with your thumb and index finger, push up on each side of the comb guide (Fig. 1). Flip the comb guide to the back of the unit and lock it into position by clicking it securely onto the fastener on the back of the handle (Fig. 2).



- Switch the trimmer on by pushing the power ON button. The LCD will illuminate and the blades will start to move.

CLOSE TRIM PRECISION

FLEX HEAD BEARD & STUBBLE TRIMMER WITH PREMIUM ETCHED BLADES



Please register this product at www.conair.com/registration

©2022 Conair LLC

Service Center

Conair LLC
Service Department
7475 North Glen Harbor Blvd.
Glendale, AZ 85307

21PG080813

IB-17443

Instruction Booklet

For your safety and continued enjoyment of this product, always read the instruction booklet carefully before using.

CONAIRMAN

Respect the Ritual™

Model GMT980

MEDIDAS DE SEGURIDAD IMPORTANTES

Al usar aparatos eléctricos, especialmente en presencia de niños, siempre se deben tomar precauciones básicas de seguridad, entre ellas las siguientes:

LEA TODAS LAS INSTRUCCIONES ANTES DEL USO MANTÉNGALO ALEJADO DEL AGUA PARA USO DOMÉSTICO SOLAMENTE

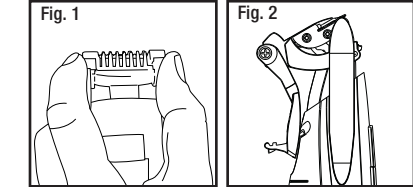
PELIGRO– Cualquier aparato enchufado permanece en tensión, aunque esté apagado. Para reducir el riesgo de electrocución o lesiones por descarga eléctrica:

- Desenchufe el aparato inmediatamente después del uso (a menos que lo esté cargando).**
- No coloque ni guarde el aparato donde pueda caerse o ser empujado a una bañera o un lavabo.
- No la use en el baño o la ducha.
- No coloque la unidad ni la deje caer al agua u otro líquido.

UTILIZACIÓN DE LA CORTADORA SIN LA GUÍA

Puede usar la cortadora sin la guía para dar forma a la barba y darle el acabado final.

- Sostenga la cortadora con una mano y empuj suavemente en cada costado de la guía con el pulgar y el índice para soltarla (Fig.1). Repliegue la guía hacia atrás y presiónela para sujetarla en la parte trasera del mango (Fig.2).



- Presione el botón de encendido/apagado par encender el aparato; la pantalla LCD se iluminará y las cuchillas empezarán a moverse.

- Para conseguir un corte al ras, use el aparat sin la guía. Tenga presente que el corte será muy corto.

IMPORTANTE: Sin la guía, la longitud de corte será por debajo de 0.4 mm, aunque la pantalla indique otra longitud.

CONSEJOS LOS MEJORES CORTES DE BARBA DE VARIOS DÍAS

- Su barba debe estar limpia y seca
- Le recomendamos que deje crecer su barb por varios días antes de usar la cortadora por primera vez. De esta manera, podrá probar varios ajustes hasta encontrar su ajuste favorito.
- Elija la longitud deseada
- Es preferible empezar con la longitud má larga, y luego volver a acortar la barba usando un ajuste más corto.

5. Si el aparato se cae al agua, no trate de alcanzarlo; **desenchúfelo inmediatamente.**

6. Desenchufe el aparato antes de limpiarlo.

NO TRATE DE ALCANZAR LA UNIDAD EN EL AGUA

ADVERTENCIA – Para reducir el riesgo de quemaduras, descarga eléctrica, incendio o lesiones personales:

- Nunca descuide/deje el aparato sin vigilancia mientras está conectado.**
- Supervise el uso de este aparato con cuidado cuando sea usado por, en o cerca de niños o personas con ciertas discapacidades.
- Use este producto solo para el uso previsto y como se describe en este manual. Solo use accesorios/aditamentos recomendados por el fabricante. No use un cable alargador/de extensión con este aparato.
- Mantenga el cable lejos de las superficies calientes.
- No jale, retuerza ni enrolle el cable alrededor del aparato.
- Nunca deje caer ni inserte ningún objeto en ninguna de las aberturas.
- Para evitar las lesiones, no use este aparato con guías o cuchillas rotas o dañadas, o si les faltan dientes a las cuchillas. Compruebe que las cuchillas están debidamente alineadas y lubricadas antes de cada uso.
- No use el aparato en exteriores, ni lo haga funcionar donde se estén usando productos en

aerosol (spray) o donde se esté administrando oxígeno.

9. Nunca obstruya los orificios de ventilación, ni coloque el aparato sobre una superficie blanda, tal como una cama o un sofá, donde se puedan obstruir. Mantenga los orificios de ventilación libres de pelusas, cabellos y elementos similares.

10. Siempre conecte el cable al aparato antes de enchufarlo en la toma de corriente. Para desconectar, ponga todos los controles en la posición de apagado (“OFF”), y luego desenchufe el cable.

11. Evite el contacto directo entre la piel y las cuchillas en movimiento.

12. No cortocircuite el cable; siempre conecte el cable al aparato antes de enchufar el adaptador en la toma de corriente.

13. El adaptador siempre debe usarse en posición vertical.

14. **Este aparato no es un juguete; manténgalo fuera del alcance de los niños.**

15. Puede que sea necesario usar un adaptador de viaje (no incluido) para conectar el aparato fuera de los EE.UU.

AVISO DE LA COMISIÓN FEDERAL DE COMUNICACIONES (FCC)

ADVERTENCIA: Se advierte que las modificaciones no aprobadas expresamente por la autoridad competente en materia de conformidad podrían rescindir el permiso del usuario para operar el equipo.

NOTA: Este equipo ha sido probado y se ha determinado que cumple con los límites de un dispositivo digital de Clase B, según la Sección 15 de la Normativa FCC. Estos límites están diseñados

para proporcionar una protección razonable contra las interferencias perjudiciales en una instalación residencial. Este equipo genera, usa y puede irradiar energía de radiofrecuencia (RF) y, si no ha sido instalado o usado conforme a las instrucciones, puede ocasionar interferencias perjudiciales para las comunicaciones por radio. No obstante, no hay garantía de que aquellas interferencias no ocurran en una instalación particular. Si este equipo produce alguna interferencia perjudicial en la recepción de radio o televisión, lo que podrá determinarse encendiendo y apagando el equipo, se recomienda tratar de corregir la interfeerencia, adoptando una o más de las siguientes medidas:

- Reorientar o reubicar la antena receptora.
- Aumentar la distancia entre el equipo y el receptor.
- Conectar el equipo a un circuito distinto al que esté conectado el receptor.
- Consultar con el distribuidor o un técnico especializado en radio/TV.

DECLARACIÓN DE CONFORMIDAD DEL PROVEEDOR

Marca: Conairman™

Modelo: GMT980

Descripción: Cortadora de barba
Parte responsable: Conair LLC, 1 Cummings Point Road, Stamford, CT 06902 (203) 351-9000

Normas: Normas de la FCC, Sección 15, subsección B ANSI C63.4-2014
Este artefacto cumple con la Sección 15 de la Normativa FCC. Su funcionamiento está sujeto a las dos condiciones siguientes:

(1) Este artefacto no debe causar ninguna interferencia perjudicial, y (2) Este artefacto debe

aceptar cualquier interferencia recibida, incluso aquellas que puedan causar un funcionamiento no deseado.

FECHA DE PUBLICACIÓN: 17/09/2021

GUARDE ESTAS INSTRUCCIONES INSTRUCCIONES DE USO

Lea atentamente las instrucciones antes de usar el adaptador de clase 2.

Use solamente el adaptador provisto (CA51).
Tensión de entrada nominal: 100–240V AC; 50/60 Hz; 0.2 A (máx.)
Tensión de salida nominal: 3.6 V DC, 1000 mA

PRECAUCIÓN: Para uso en lugares secos solamente. No lo exponga al agua, al vapor o a la lluvia. No use el aparato si la carcasa o el cable están dañados. Nunca enchufe el aparato en una toma de corriente que no sea del voltaje adecuado.

Mantenga la apariencia de una barba de varios días todos los días gracias a la nueva generación de cortadoras para barba corta.

La cortadora de barba Close Trim Precision proporciona 15 longitudes de corte ultraprecisas para que usted siempre luzca su estilo favorito. Cualquier que sea su estilo – barba de dos días, barba de tres días o barba corta, la cortadora "barba de varios días", la cortadora de barba Close Trim Precision es lo máximo en control

de corte. El ajuste de longitud digital corta la barba con mucha precisión (desde 0.4 mm hasta 5 mm), para que usted pueda conseguir exactamente el aspecto deseado. Su cabezal flexible (flotante y pivotante) único se adapta al contorno de su cara para mayor precisión y comodidad.

CARACTERÍSTICAS

- Cabezal flexible (flotante y pivotante) único que se adapta al contorno de su cara para una precisión excepcional y máxima comodidad.
- Ajuste de longitud digital con ajuste automático desde 0.4 mm hasta 5 mm para máxima exactitud.
- Rendimiento avanzado mediante un sistema de doble batería de larga duración, para resultados rápidos y fiables.
- Cuchillas fresadas (químicamente) extremadamente afiladas y duraderas.
- Pantalla LCD que indica la longitud seleccionada y el estado de carga.
- Guía protectora, para resultados uniformes; removible para una fácil limpieza.

- Sistema de carga rápida: 90 minutos de carga proporcionan 45 minutos de uso sin cable; 5minutos de carga proporcionan varios minutos de uso sin cable, suficiente para un corte.

- Diseño ergonómico curvo, para mayor control y comodidad.

INSTRUCCIONES DE USO

MANTENIMIENTO DE SU RECORTADORA

RECORTADORA DE BARBA CORTA

GARANTÍA LIMITADA DE TRES AÑOS (VÁLIDA EN LOS EE.UU. Y EN CANADÁ SOLAMENTE)

Conair reparará o reemplazará (a su opción) este producto sin cargo por un período de 36 meses a partir de la fecha de compra si presenta defectos de fabricación o materiales.

Para obtener servicio técnico bajo esta garantía, devuelva el producto defectuoso al Centro de Servicio indicado más adelante, junto con su recibo de compra. Los residentes de California solo necesitan dar una prueba de compra y deben llamar al 1-800-3-CONAIR para recibir instrucciones de envío. En ausencia del recibo de compra, el período de garantía será de 36 meses a partir de la fecha de fabricación.

CUALQUIER GARANTÍA, OBLIGACIÓN O RESPONSABILIDAD IMPLÍCITAS, INCLUYENDO, PERO NO LIMITADAS A LA GARANTÍA IMPLÍCITA DE COMERCIABILIDAD Y APTITUD PARA UN PROPÓSITO ESPECÍFICO, ESTARÁN LIMITADAS POR LOS 36 MESES DE LA PRESENTE GARANTÍA ESCRITA. Algunos Estados no permiten limitaciones en la duración de una garantía implícita, de modo que las limitaciones mencionadas pueden no regir para usted.

CONAIR NO SERÁ RESPONSABLE, EN NINGÚN CASO, POR NINGÚN DAÑO ESPECIAL, INCIDENTAL O CONSECUENTE DEBIDO AL INCUMPLIMIENTO DE ESTA O CUALQUIER OTRA GARANTÍA, EXPRESA O IMPLÍCITA. Algunos Estados no permiten la exclusión o limitación de daños especiales, incidentales o consecuentes, de modo que las limitaciones mencionadas pueden no regir para usted. Esta garantía le otorga derechos legales específicos y usted puede tener otros derechos que varían de un Estado a otro.

LUBRICACIÓN

- Lubrique las cuchillas antes del primer uso, y luego una vez al mes.
- Encienda el aparato por encima de una hoja de periódico.
- Sostenga el aparato de manera que las cuchillas apunten hacia abajo.
- Esparza una gota de aceite a lo largo de las cuchillas.
- Apague (“OFF”) la unidad y absorba el exceso de aceite con un papel absorbente.

NOTA:

- No lubrique demasiado las cuchillas; esto puede dañar el motor.
- No lubrique las piezas del motor, las cuales están lubricadas de por vida.

3. MANTENGA EL ACEITE FUERA DEL ALCANCE DE LOS NIÑOS.

IMPORTANTE: INSTRUCCIONES DE CARGA

ANTES DEL PRIMER USO

- La cortadora de barba Close Trim Precision es muy fácil de usar, pero deberá cargarla por 16 horas antes del primer uso. Esta primera “súper carga” es imprescindible, aunque desee usar la unidad con cable, y garantiza un rendimiento óptimo y resultados rápidos, cada vez que la use. Después de la carga inicial, cada carga demorará 90 minutos. La batería recargable alcanzará su capacidad máxima después de 3 ciclos de carga/descarga. Para cargar:

- Conecte el adaptador al enchufe ubicado debajo del aparato.
- Enchufe el adaptador en una toma de corriente.

- Cerciórese de que el indicador de carga aparece en la pantalla.

CARGA REGULAR

- Una carga completa toma 90 horas y proporciona al menos 60 minutos de uso sin cable continuo. El estado de carga aparece en la pantalla LCD.
- Para lograr un rendimiento óptimo y conservar la energía de las baterías recargables, se recomienda cargar el aparato por aprox. 16 horas cada 3 meses.

- Su cortadora también cuenta con una función de carga rápida. Una carga de 5 minutos proporciona aprox. 3 minutos de uso sin cable.

FUNCIONAMIENTO CON CABLE

- Conecte el cable directamente al aparato.

- Enchufe el adaptador en una toma de corriente.

- Siempre apague y desenchufe el aparato después de cada uso, excepto cuando lo esté cargando.

CÓMO ENCENDER/APAGAR EL APARATO

Para encender el aparato, presione el botón de encendido/apagado; el ajuste de longitud seleccionado aparecerá en la pantalla LCD. Para apagar el aparato, presione el botón de encendido/apagado; la cantidad de minutos de uso sin cable restante aparecerá en la pantalla antes de que se apague.

FUNCIÓN DE BLOQUEO DE SEGURIDAD

Este aparato cuenta con una función de bloqueo de seguridad para evitar que se encienda accidentalmente cuando esté viajando.

Para activar el bloqueo de seguridad, mantenga presionado el botón de encendido/apagado por 3 segundos; la guía de corte volverá a su

posición inicial y el aparato se apagará. Una cuenta regresiva de 3 segundos aparecerá en la pantalla LCD. Después de 3 segundos, un candado aparecerá en la pantalla.

Para activar el bloqueo de seguridad, mantenga presionado el botón de encendido/apagado por 3 segundos; una cuenta regresiva de 3 segundos aparecerá en la pantalla LCD. Después de 3 segundos el aparato se encenderá.

Nota: El bloqueo de viaje se desactiva automáticamente durante la carga.

PREPARACIÓN PARA EL USO

Siempre revise el aparato antes de cada uso para asegurarse de que el cabezal de corte está libre de recortes y funciona sin problemas.

UTILIZACIÓN DE LA GUÍA

La guía permite ajustar la longitud de corte. Será necesario experimentar con ella hasta familiarizarse con las distintas longitudes para barba de varios días (desde 0.4 mm hasta 1.6mm) y para barba corta (desde 2 mm).

- Asegúrese de que la guía está debidamente instalada, presionándola suavemente hasta que encaje.

- Presione repetidamente los botones digitales +/- para ajustar la guía telescópica y elegir la longitud de corte deseada.

- Las longitudes disponibles desfilarán en la pantalla LCD al presionar los botones +/- digitales. El aparato proporciona 15 longitudes de corte: 0.4 mm, 0.6 mm, 0.8 mm, 1 mm, 1.2mm, 1.4 mm, 1.6 mm, 1.8 mm, 2 mm, 2.5mm, 3 mm, 3.5 mm, 4 mm, 4.5 mm y 5 mm.

- Elija la longitud deseada; el ajuste elegido permanecerá en la pantalla LCD.

- Presione el botón de encendido/apagado para encender el aparato.

CORTADORA DE BARBA CLOSE TRIM PRECISION

CORTADORA DE BARBA/BARBA CORTA CON CABEZAL FLEXIBLE Y CUCHILLAS



Manual de instrucciones

Para su seguridad y para disfrutar plenamente de este producto, siempre lea atentamente las instrucciones antes del uso.

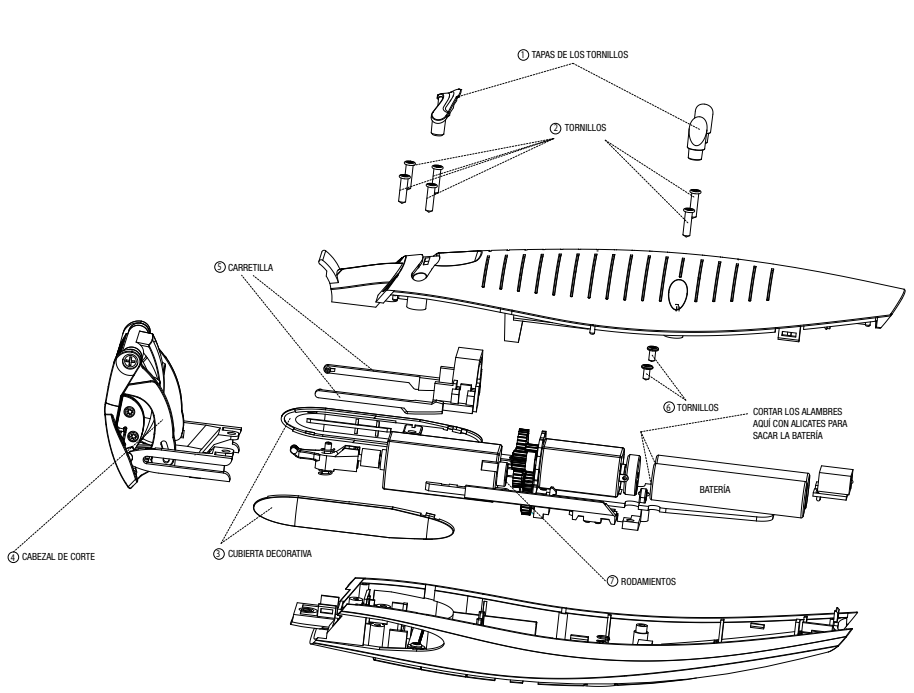
CONAIRMAN
Respect the Ritual™

Modelo GMT980



ESTE APARATO CONTIENE BATERÍAS RECARGABLES DE NÍQUEL-HIDRURO METÁLICO, LAS CUALES DEBEN RECICLARSE SEGÚN LAS LEYES VIGENTES AL FINAL DE SU VIDA ÚTIL. NO LO TIRE A LA BASURA.

REMOCIÓN DE LA(S) BATERÍA(S)



21PG080813

IB-17443