

**Para registrar su producto, visítenos en:  
[www.conair.com/registration](http://www.conair.com/registration)**

## **CENTRO DE SERVICIO**

Conair Corporation  
Service Department  
7475 N. Glen Harbor Blvd.  
Glendale, AZ 85307

©2020 CONAIR CORPORATION

20PA064732

Patente en trámite

Para más información sobre los productos Conair<sup>®</sup>, llame al  
1-800-3-CONAIR o visítenos en [www.conair.com](http://www.conair.com)

IB-16578

Unbound™ | petite

BEAUTY IN MOTION

Instruction and Styling Guide  
Model CR310



BROUGHT TO YOU BY CONAIR®

**NOTE: CONTAINS 1 LITHIUM ION BATTERY. AIRLINE RESTRICTIONS MAY APPLY. CHECK WITH YOUR CARRIER.**

# IMPORTANT SAFETY INSTRUCTIONS

When using electrical appliances, especially when children are present, basic safety precautions should always be taken, including the following:

## **READ ALL INSTRUCTIONS BEFORE USING** ***KEEP AWAY FROM WATER***

**DANGER** — Any appliance is electrically live even when the switch is off. To reduce the risk of death by electric shock:

1. **Always unplug appliance immediately after using.**
2. Do not use while bathing or in the shower.
3. Do not place or store appliance where it can fall or be pulled into a tub or sink.

4. Do not place in, or drop into water or other liquids.
5. If an appliance falls into water, unplug it immediately. **Do not reach into the water.**

**WARNING** — To reduce the risk of burns, electrocution, fire, or injury to persons:

1. **This appliance should never be left unattended when plugged in.**
2. **Do not pull, twist, or wrap line cord around appliance.**
3. This appliance should not be used by, on or near children or individuals with certain disabilities.
4. Use this appliance only for its intended use, as described in this manual. Do not use attachments not recommended by the manufacturer.
5. **Never operate this appliance if it has a damaged cord or plug, if it is not working properly or if it has been dropped or damaged, or dropped into water. Return the appliance to an authorized service center for examination and repair.**

6. Keep the cord away from heated surfaces.
7. Never use while sleeping.
8. Never drop or insert any object into any opening or hose.
9. Do not use outdoors or operate where aerosol (spray) products are being used or where oxygen is being administered.
10. Unit is hot when in use. Do not let heated surface touch eyes or skin.
11. **Do not place the heated unit directly on any surface while it is hot or plugged in.**
12. Never block the air openings of the appliance or place it on a soft surface, such as a bed or couch, where the air openings may be blocked. Keep the air openings free of hair, lint and other debris.
13. Do not use an extension cord with this appliance.
14. Do not touch hot surfaces of the appliance. Use handles or knobs.
15. Do not attempt to touch the housing of your appliance near the plates, as it is hot when in use.

16. If using another charging cable, please use one that can be charged with a charging current of 1A or more.
17. When the product is charging, do not leave it unattended. Be sure to remove the charger when product is fully charged.
18. Do not pull the charging cable directly.
19. This product is for household use only.
20. This product is not a toy. Keep away from children.
21. **Caution:** Risk of fire and burns. Do not open, crush, heat above 140°F or incinerate.
22. This appliance is not intended for use by persons (including children) with reduced physical, sensory or mental capabilities, or lack of experience and knowledge, unless they have been given supervision or instruction concerning use of the appliance by a person responsible for their safety.
23. Children should be supervised to ensure that they do not play with the appliance.

# SAVE THESE INSTRUCTIONS

# OPERATING INSTRUCTIONS

Charging volt/power: DC 5V/5W  
ICR18650 battery cell volt: 3.7V  
Battery capacity: 2600mAh

1. Plug the USB cable into the USB port of an adapter.
2. Charge the unit fully overnight before your first use. Indicator light will flash while charging. Once solid, the unit is fully charged and ready to use.
3. The unit may become a little warm when charging or during use. This is normal.
4. Preserving the battery: In order to maintain the optimum capacity of the rechargeable battery,

the battery should be recharged for 3 hours approximately every 3 months.

**NOTE:** Charge time may vary depending on type of adapter and power source being used. For fastest charging time, use a 5V/1.0AMP adapter.

## **USER MANUAL**

Before using the supplied USB charging cord, read these instructions carefully.

Rating required when connecting the USB port to a computer/adapter:

Rated input voltage: 100-240V AC, 50/60Hz 0.2A

Rated output: 5V DC 1A (MAX.)



## **OPERATION**

1. For dry location use only. Do not expose to water.
2. Unit will become hot during operation.
3. Unplug USB charging cord when not in use.

## **CAUTION**

1. Dry location use only. Do not expose to liquids, vapor, or rain.
2. If using a USB power adapter, be sure the micro USB input is plugged into the unit before plugging the USB charging cord into the adapter and outlet.
3. Do not operate any appliance that has a damaged output cord or housing.
4. Always unplug the unit before cleaning and when not in use.

## OPERATING PRECAUTIONS

This flat iron has a built-in, rechargeable battery. Do not burn, apply heat, charge, or use or leave in a high-temperature environment.

**NOTE:** Do not use this styling appliance on hair extensions.

## TROUBLESHOOTING

If your rechargeable flat iron does not seem to be taking a charge, follow these steps before returning it for repair:

1. If using a USB power adapter in an electrical outlet, check to see if the outlet is working by plugging in another appliance to test it.
2. If using a USB power adapter, check to see if the adapter is working by plugging in another USB device.
3. If both the adapter and outlet are working, try another micro USB cord.

4. Make sure the micro USB connector is pushed all the way into the micro USB input on the unit.
5. Make sure the environment is not too cold or too hot.
6. Make sure unit is completely cool before charging.

## **FLAT IRON CHARGING PRECAUTIONS**

- Avoid charging the battery at temperatures below 41°F (5°C) or above 104°F (40°C).
- Avoid charging the battery in direct sunlight or near a radiating heat source.
- Even though the flat iron may not be used for an extended period of time, charge every 3 months for approximately 3 hours to preserve battery life.

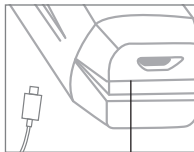
## GETTING TO KNOW YOUR FLAT IRON

Eliminate frizz and straighten with your Unbound™ Petite Flat Iron.

### Features:

- Ceramic-coated plates
- Micro USB for charging
- LED indicator light
- Hinge lock
- Auto off
- Up to 20-minutes of cord-free runtime\*

\*Depending on hair type and length



Micro USB input  
5V 1A



Heat-resistant  
drawstring pouch

## GETTING STARTED

- Before using, fully charge the product for maximum battery performance, and always be sure to read all the instructions.
- Press and hold ON/OFF button for 2 seconds. Temperature setting indicator light will blink.
- Press ON/OFF button to choose temperature.

**NOTE:** Press and hold the ON/OFF button for 2 seconds to turn flat iron off. If you forget to turn it off, it will shut off automatically after 15 minutes if not used.

## **THE CERAMIC, EASY-GLIDE STYLER**

The Unbound™ Petite styler has a ceramic, easy-glide surface. This is the newest technology. It not only makes it simpler to clean off styling product residue, etc., after each use, but you'll find that hair glides easily over the surface of the heating plates. The ceramic surface also helps smooth down flyaways and frizzies for added shine.

The styler evenly distributes heat so that the style you create has a salon-perfect, silky smooth, shiny finish.

Ceramic technology makes styling hair easier, and gives you professional results.



## TO STRAIGHTEN HAIR

Hair should be clean and completely dry before using the flat iron. For best results, use a light styling product before blow-drying hair.

1. Start with a hair section that is  $\frac{1}{2}$  inch wide and no more than  $\frac{1}{2}$  inch thick.
2. Open the iron and place the hair section between the two hot plates, close to the scalp. Trap hair between the plates by firmly squeezing the handles together.
3. While maintaining the tension, slowly pull the unit down along the hair section toward the ends.
4. At the ends, release the pressure on the handle and allow the hair to slide out.

Repeat process on additional sections of hair until you achieve the hairstyle you desire. It may be necessary to repeat process on certain areas, depending on the texture of your hair.



Some experience is necessary when learning to use this flat iron. After using the iron several times, you will learn the ideal way to straighten and style your hair.

## STYLE TIPS

- Use a comb as a guide to flatten all cuticles.
- To add flips and waves, secure ends in between plates and wrap hair around the outer housing. It's an easy way to add shape to straight styles. Turn your wrist up or under to create flips, add curl or more body.
- Best to use on short-to-medium length hair.



## TIPS

Before using, fully charge the product to get the best performance. Charge time will vary depending on type of adapter and power source being used.

Before preparing to store your flat iron for a long time, fully charge it. Always be sure to charge it at least once every 3 months to keep the flat iron in the best condition.

- When the product is in the charging mode, the battery indicator light will flash.
- When the product is fully charged and the charger is still connected, the battery indicator light remains solid.

**NOTE:** The light will be off after removing the charger if the product is off.

- When the product is charging, other functions are disabled.
- When the battery is lower than the factory setting, the LED indicator light will flash five times and the unit will automatically shut off.

## FEDERAL COMMUNICATIONS COMMISSION NOTICE

**WARNING:** Changes or modifications to this unit not expressly approved by the party responsible for compliance could void the user's authority to operate the equipment.

This device complies with Part 15 of the FCC Rules. Operation is subject to the following two conditions: (1) This device may not cause harmful interference, and (2) This device must accept any interference received, including interference that may cause undesired operation.

**NOTE:** This equipment has been tested and found to comply with the limits for a Class B digital device, pursuant to Part 15 of the FCC Rules. These limits are designed to provide reasonable protection against harmful interference in a residential installation. This equipment generates, uses and can radiate radio frequency energy and, if not installed and used in accordance with the instructions, may cause harmful interference to radio communications. However, there is no guarantee that interference will not occur in a particular installation. If this equipment does cause harmful interference to radio or television

reception, which can be determined by turning the equipment off and on, the user is encouraged to try to correct the interference by one or more of the following measures:

- Reorient or relocate the receiving antenna.
- Increase the separation between the equipment and receiver.
- Connect the equipment into an outlet on a circuit different from that to which the receiver is connected.
- Consult the dealer or an experienced radio/TV technician for help.

## **SUPPLIER'S DECLARATION OF CONFORMITY**

**Brand:** Conair

**Model No.:** CR310

**Description:** Unbound™ Flat Iron

**Responsible Party:**

Conair Corporation,  
1 Cummings Point Road,  
Stamford, CT 06902 (203) 351-9000

**Standards:** FCC Part 15 Subpart B,  
ANSI C63.4-2014

This device complies with Part 15 of the FCC Rules. Operation is subject to the following two conditions:

(1) This device may not cause harmful interference, and (2) This device must accept any interference received, including interference that may cause undesirable operation.

**DATE OF ISSUE:** 01/14/2020

## DISPOSAL OF LITHIUM ION BATTERY

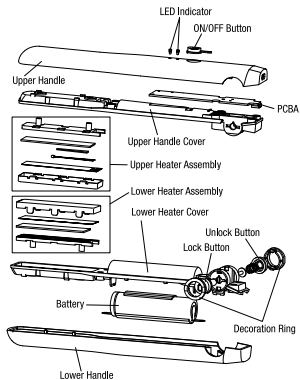
This unit has 1 lithium ion battery. To protect the environment, this battery should be removed and properly disposed of when the unit is no longer operating. To remove the battery block for disposal or recovery, follow these instructions:

1. First unplug the unit.
2. Open the battery cover of the unit and remove the battery.
3. To protect the environment, do not dispose of your battery with your ordinary household waste.

For more details on recovery of materials and waste treatment facilities, please contact the waste disposal services in your region.

**NOTE:** Contains 1 lithium ion battery. Airline restrictions may apply. Check with your carrier.





CONTAINS LITHIUM ION  
BATTERY. MUST BE  
COLLECTED, RECYCLED OR  
DISPOSED OF PROPERLY.  
DO NOT DISPOSE OF  
IN THE MUNICIPAL WASTE.



## **USER MAINTENANCE**

Your flat iron is virtually maintenance free. No lubrication is needed. Keep all vents and openings clear of dirt and dust. If cleaning becomes necessary, disconnect the unit from the power source, allow to cool and wipe exterior with a cloth. If any abnormal condition occurs, unplug the unit, allow it to cool, and return it for repair to an authorized service representative only. No repairs should be attempted by the consumer.

### **CAUTION**

NEVER allow the USB charging cord to be pulled, twisted, or severely bent. Never wrap the cord tightly around the appliance. Damage will occur at the high flex point of entry into the appliance, causing it to rupture and short circuit. Inspect the cord frequently for damage. Stop use immediately if damage is visible or if unit stops or operates intermittently.

## STORAGE

This appliance comes with a heat-resistant storage pouch for use during and after styling. During use, do not place the appliance on any heat-sensitive surface, even when using the storage pouch provided. After use, switch off and unplug the appliance from both the wall outlet and the flat iron. Immediately wrap the appliance in the storage pouch provided and allow to fully cool down. **Do not jerk or strain cord at plug connections.** Do not wrap the line cord around the appliance. When storing, keep the cord unplugged from the flat iron. Continue to keep it out of the reach of children, as it will remain hot for several minutes. Store out of reach of children in a safe, dry location. To protect the plates, store unit with plates closed tightly.

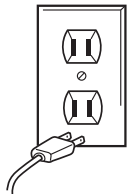
**IMPORTANT!** The outer material is not heat resistant and the appliance should not be placed on this material while hot.

## **CLEANING AND MAINTENANCE**

- Do not put this product in a dishwasher or washing machine for cleaning.
- This product does not have waterproof functionality. When cleaning, care should be taken to prevent water or other liquids from entering the product from the product gap or interface, resulting in a short circuit of the product.
- Clean up the foreign matter, such as hair, after each use.
- Ensure that the unit has cooled down before carrying out cleaning, maintenance or other care.
- Do not use sharp or corrosive, volatile thinner cleaners.
- Use a soft, damp cloth (with a small amount of nonirritating, volatile, flammable detergent) to clean and wipe the product exterior. When finished, dry with a soft, dry cloth.

**WARNING:  
IF YOU THINK  
THE POWER IS OFF  
WHEN THE SWITCH  
IS OFF,  
YOU'RE WRONG.**

**KEEP AWAY FROM WATER**



Everyone knows that electricity and water are a dangerous combination. But did you know that an electric appliance is still electrically live even if the switch is off? If the plug is in, the power is on. So when you are not using your appliances, keep them unplugged.

## **ALWAYS UNPLUG SMALL APPLIANCES**

## LIMITED TWO-YEAR WARRANTY (U.S. AND CANADA ONLY)

Conair will repair or replace (at our option) your unit free of charge for 24 months from the date of purchase if the appliance is defective in workmanship or materials.

To obtain service under this warranty, return the defective product to the service center listed on back, together with your purchase receipt. California residents need only provide proof of purchase and should call 1-800-3-CONAIR for shipping instructions. In the absence of a purchase receipt, the warranty period shall be 24 months from the date of manufacture.

**ANY IMPLIED WARRANTIES, OBLIGATIONS, OR LIABILITIES, INCLUDING BUT NOT LIMITED TO THE IMPLIED WARRANTY OF MERCHANTABILITY AND FITNESS FOR A PARTICULAR PURPOSE, SHALL BE LIMITED IN DURATION TO THE 24-MONTH DURATION OF THIS WRITTEN, LIMITED WARRANTY.**

Some states do not allow limitations on how long an implied warranty lasts, so the above limitations may not apply to you.

**IN NO EVENT SHALL CONAIR BE LIABLE FOR ANY SPECIAL, INCIDENTAL, OR CONSEQUENTIAL DAMAGES FOR BREACH OF THIS OR ANY OTHER WARRANTY, EXPRESS OR IMPLIED, WHATSOEVER.** Some states do not allow the exclusion or limitation of special, incidental, or consequential damages, so the above limitation may not apply to you.

This warranty gives you specific legal rights, and you may also have other rights, which vary from state to state.



**Please register this product at  
[www.conair.com/registration](http://www.conair.com/registration)**

## **SERVICE CENTER**

**Conair Corporation  
Service Department  
7475 N. Glen Harbor Blvd.  
Glendale, AZ 85307**

**©2020 CONAIR CORPORATION**

**20PA064732**

**Patent Pending**

**For info on any Conair product,  
call 1-800-3-CONAIR or  
visit us on the web at [www.conair.com](http://www.conair.com)**

**IB-16578**

Unbound™ | petite

**BELLEZA EN MOVIMIENTO**

Instrucciones y guía de peinado  
Modelo CR310



PRESENTADO POR CONAIR®

**NOTA: ESTE APARATO CONTIENE UNA BATERÍA RECARGABLE DE IONES DE LITIO. ALGUNAS COMPAÑÍAS AÉREAS PUEDEN IMPONER RESTRICCIONES AL TRANSPORTE. POR FAVOR, CONSULTE CON SU COMPAÑÍA AÉREA.**

# MEDIDAS DE SEGURIDAD IMPORTANTES

Al usar aparatos eléctricos, especialmente en presencia de niños, siempre debe tomar precauciones básicas de seguridad, entre ellas las siguientes:

## LEA TODAS LAS INSTRUCCIONES ANTES DEL USO

### *MANTÉNGALO ALEJADO DEL AGUA*

**PELIGRO** — Cualquier aparato enchufado permanece bajo tensión, aunque esté apagado. Para reducir el riesgo de electrocución:

1. **Siempre desenchufe el aparato inmediatamente después del uso.**
2. No lo use en el baño o la ducha.
3. No coloque ni guarde el aparato donde pueda caerse o ser empujado a una bañera o un lavabo.

4. No coloque el aparato ni lo deje caer al agua u otro líquido.
5. Si el aparato se cae al agua, desenchúfelo inmediatamente; **no toque el agua.**

**ADVERTENCIA** — Para reducir el riesgo de quemaduras, electrocución, incendio o heridas:

1. **Nunca descuide/deje el aparato sin vigilancia mientras está conectado.**
2. **No jale, retuerza ni enrolle el cable alrededor del aparato.**
3. Este aparato no debe ser usado por, en o cerca de niños o personas con ciertas discapacidades.
4. Use este aparato únicamente con el propósito para el cual fue diseñado y solamente según las instrucciones. Solo use accesorios recomendados por el fabricante.
5. **No use este aparato si el cable o el enchufe están dañados, si no funciona correctamente, si está dañado, o después de que se haya caído, incluso en el agua; devuélvalo a un centro de servicio autorizado para su revisión y reparación.**

6. Mantenga el cable alejado de superficies calientes.
7. No lo use mientras duerme.
8. Nunca deje caer ni inserte ningún objeto en ninguna de las aberturas.
9. No use el aparato en exteriores, ni lo haga funcionar donde se estén usando productos en aerosol (spray) o donde se esté administrando oxígeno.
10. Este aparato se pone muy caliente durante el uso; mantenga los ojos y la piel alejados de las superficies calientes.
11. **No coloque el aparato sobre ninguna superficie mientras está caliente o enchufado.**
12. Nunca obstruya los orificios de ventilación ni coloque el aparato sobre una superficie blanda, tal como una cama o un sofá, donde se puedan obstruir. Mantenga los orificios de ventilación libres de pelusas, cabellos y elementos similares.
13. No use un cable alargador/de extensión con este aparato.

14. No toque las superficies calientes; use los mangos/asas y los botones/perillas.
15. La carcasa del aparato cerca de las placas se pone muy caliente durante el uso; no la toque.
16. Si debe usar otro cable de carga, cerciórese de usar un cable de carga de 1 A o más.
17. No descuide/deje el aparato sin vigilancia mientras se está cargando. Cerciórese de desconectar el cable de carga una vez cargado el aparato.
18. No jale el cable de carga para desconectarlo; agárrelo por el punto de conexión.
19. Para uso doméstico solamente.
20. Este producto no es un juguete; manténgalo fuera del alcance de los niños.
21. **Precaución:** Riesgo de incendio y quemaduras. No lo abra, machuque, incinere o exponga a temperaturas superiores a 140 °F (60 °C).
22. Los niños o las personas que carezcan de la experiencia o de los conocimientos necesarios para manipular el aparato, o aquellas cuyas capacidades físicas, sensoriales o mentales estén limitadas, no

deben usar el aparato sin la supervisión o la dirección de una persona responsable por su seguridad.

23. No permita que los niños jueguen con este aparato.

# **GUARDE ESTAS INSTRUCCIONES**

## **INSTRUCCIONES DE OPERACIÓN**

Voltaje/Corriente de carga: DC 5V/ 5W

Voltaje de la batería ICR18650: 3.7 V

Capacidad de la batería: 2600 mAh

1. Conecte el cable USB al enchufe USB del aparato; conecte la otra extremidad del cable a un cargador USB.
2. Cargue la unidad durante una noche antes del primer uso. El indicador luminoso parpadeará durante la carga.

Cuando el indicador luminoso quede encendido, esto significa que la batería está completamente cargada y que el aparato está listo para su uso.

3. Puede que la unidad se ponga ligeramente caliente durante la carga o el uso; esto es normal.

4. Vida útil: Para lograr un rendimiento óptimo y conservar la energía de las baterías recargables, le recomendamos que cargue el aparato por aprox. 3 horas cada 3 meses.

**NOTA:** El tiempo de carga puede variar dependiendo del tipo de adaptador y de la fuente de energía usados. Para un tiempo de carga más rápido, use un adaptador de 5 V/1 A.

## **INSTRUCCIONES DE USO**

Lea cuidadosamente las instrucciones antes de usar el cable de carga provisto.

Clasificación necesaria para conexión a una computadora:

Tensión de entrada nominal: 100–240 V AC; 50/60 Hz; 0.2 A

Tensión de salida nominal: 5 V DC; 1 A (MÁX.)



## **FUNCIONAMIENTO**

1. Para uso en lugares secos solamente; no lo exponga al agua.
2. La unidad se pone caliente durante el uso; esto es normal.
3. Desenchufe el cable de carga USB cuando no está cargando el aparato.

## **PRECAUCIÓN**

1. Para uso en lugares secos solamente. No lo exponga al agua, al vapor o a la lluvia.
2. Si usa un cargador USB, cerciórese de conectar el cable de carga USB a la unidad antes de conectarlo al cargador.
3. No use el aparato si la carcasa o el cable están dañados.
4. Siempre desenchufe la unidad después del uso y antes de limpiarla.

## PRECAUCIONES DE USO

Este aparato contiene una batería recargable. No lo incinere/tire al fuego, no lo caliente, y no lo cargue, use o almacene en un ambiente muy caliente.

**NOTA:** No use este aparato en cabello sintético/extensionses.

## RESOLUCIÓN DE PROBLEMAS

Si el aparato no agarra carga, siga los pasos siguientes antes de devolverlo a un centro de servicio:

1. Si usa un cargador USB (enchufado en una toma de corriente) para cargar el aparato, enchufe otro aparato en la toma de corriente para comprobar que la toma de corriente está funcionando.
2. Si usa un cargador USB (enchufado en una toma de corriente) para cargar el aparato, conecte otro aparato USB al adaptador para comprobar que el adaptador está funcionando.
3. Si tanto el adaptador como la toma de corriente funcionan, pruebe otro cable micro-USB.

4. Compruebe que el conector micro USB está completamente insertado en el enchufe micro-USB de la unidad.
5. Compruebe que el ambiente no está demasiado frío/caliente.
6. Cerciórese de que el aparato está completamente frío antes de cargarlo.

## **PRECAUCIONES DE CARGA**

- Evite cargar el aparato en temperaturas inferiores a 41 °F (5 °C) o superiores a 104 °F (40 °C).
- Evite cargar el aparato en la luz directa del sol o cerca de una fuente de calor.
- Le aconsejamos que cargue el aparato cada 3 meses por aprox. 3 horas, aunque no tenga previsto usarlo; esto ayudará a conservar la vida de la batería recargable.

## FAMILIARÍCESE CON SU PLANCHA ALISADORA

Alise su cabello mientras elimina el frizz con su plancha Unbound™ Petite.

### **Características:**

- Placas con revestimiento de cerámica
- Cable de carga micro-USB
- Indicador luminoso LED
- Sistema de bloqueo de las placas
- Apagado automático
- Hasta 20 minutos de autonomía sin cable\*

\*Dependiendo de la longitud del cabello

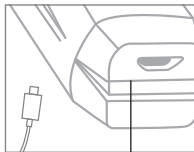
Placas con  
revestimiento  
de cerámica



Indicador de  
temperatura (hasta  
360°F/400°F)

Luz de encendido/  
carga

Sistema de  
bloqueo de  
las placas



Enchufe micro-USB  
5 V, 1 A



Estuche de almacenaje  
resistente al calor con  
cordón

## FUNCIONAMIENTO BÁSICO

- Antes de usar el aparato, cárguelo completamente para maximizar el rendimiento de la batería, y cerciórese de leer todas las instrucciones.
- Mantenga oprimido el botón de encendido/apagado por 2 segundos; el indicador de temperatura empezará a parpadear.
- Oprima repetidamente el botón de encendido/apagado para elegir la temperatura.

**NOTA:** Para apagar la unidad, oprima y mantenga oprimido el botón de encendido/apagado por 2 segundos. Para su seguridad, el aparato se apagará automáticamente después de 15 minutos si se olvida de apagarlo.

## **REVESTIMIENTO DE CERÁMICA DE FÁCIL DESLIZAMIENTO**

Las placas de la plancha Unbound™ cuentan con un revestimiento de cerámica de fácil deslizamiento. ¡Esta es la última tecnología! Notará que el cabello se desliza fácilmente sobre revestimiento y que es muy fácil limpiar el aparato después de cada uso. El revestimiento de cerámica también ayuda a controlar la estática y el frizz, para más brillo.

Distribuye el calor uniformemente, para crear peinados sedosos y brillantes, igual que en el salón.

La tecnología cerámica facilita el peinado y ofrece resultados profesionales.



## CÓMO ALISAR EL CABELLO

El cabello debe estar limpio y seco. Para obtener resultados óptimos, aplique una loción fijadora ligera en el cabello antes de secarlo.

1. Divida el cabello en secciones de  $\frac{1}{2}$  in. (1.5 cm) de ancho por un máximo de  $\frac{1}{2}$  in. (1.5 cm) de grueso.
2. Coloque el aparato cerca del cuero cabelludo. Abra las placas y coloque una sección de cabello entre ellas. Cierre las placas.
3. Baje la plancha lentamente hasta las puntas, manteniendo las placas bien cerradas.
4. Suelte el cabello tras llegar a las puntas.

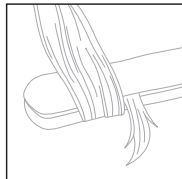
Repita el proceso en cada sección de cabello, hasta conseguir el estilo deseado. Dependiendo de la textura del cabello, puede que sea necesario repetir el proceso varias veces en algunas secciones.



Nota: Será necesario experimentar un poco al principio. Con práctica, encontrará la manera perfecta para peinar su cabello fácil y rápidamente.

## CONSEJOS DE PEINADO

- Peine cada sección con un peine antes de alisarla para aplanar la cutícula.
- Para doblar las puntas y crear ondas, agarre las puntas del cabello entre las extremidades de las placas y enrolle en cabello alrededor de las placas cerradas. Es una manera fácil de dar volumen a cualquier peinado liso. Gire la muñeca hacia arriba o abajo para doblar las puntas hacia fuera/dentro, rizar o dar cuerpo.
- Preferiblemente para uso en el cabello corto o medio-largo.



## CONSEJOS

Antes de usar el aparato, cárguelo completamente para maximizar el rendimiento de la batería. El tiempo de carga puede variar dependiendo del tipo de adaptador y de la fuente de energía usados.

Cargue el aparato completamente antes de guardarlo por un largo periodo de tiempo. Para un rendimiento óptimo, cargue el aparato al menos cada 3 meses.

- La luz de carga parpadea durante la carga.

Al final de la carga, deja de parpadear y se mantiene encendida.

**NOTA:** La luz se apagará al desconectar el cable de carga (si el aparato está apagado).

- Las funciones están desactivadas durante la carga.
- La luz de carga LED parpadeará cinco veces y la unidad se apagará automáticamente cuando la batería esté baja.

## **AVISO DE LA COMISIÓN FEDERAL DE COMUNICACIONES (FCC)**

**ADVERTENCIA:** Se advierte que las modificaciones no aprobadas expresamente por la autoridad competente en materia de conformidad podrían rescindir el permiso del usuario para operar el equipo.

Este artefacto cumple con la Sección 15 de la Normativa FCC. Su funcionamiento está sujeto a las dos condiciones siguientes: (1) Este artefacto no puede causar ninguna interferencia perjudicial, y (2) Este artefacto debe aceptar cualquier interferencia recibida, incluso aquellas que pueden causar un funcionamiento no deseado.

**NOTA:** Este equipo ha sido probado y se ha determinado que cumple con los límites de un dispositivo digital de Clase B, según la Sección 15 de la Normativa FCC. Estos límites han sido concebidos para proporcionar una protección razonable contra interferencias perjudiciales en las instalaciones de edificios. Este equipo genera, usa y puede irradiar energía de radiofrecuencia (RF) y, si no ha sido instalado o usado conforme a las instrucciones, puede ocasionar interferencias perjudiciales para las comunicaciones por

radio. No obstante, no hay garantía de que aquellas interferencias no ocurran en una instalación particular. Si este equipo produce alguna interferencia perjudicial en la recepción de radio o televisión, lo que podrá determinarse encendiendo y apagando el equipo, se recomienda tratar de corregir la interferencia, adoptando una o más de las siguientes medidas:

- Reorientar o reubicar la antena receptora.
- Aumentar la distancia entre el equipo y el receptor.
- Conectar el equipo a un circuito distinto al que esté conectado el receptor.
- Consultar con el distribuidor o un técnico especializado en radio/TV.

## **DECLARACIÓN DE CONFORMIDAD DEL PROVEEDOR**

**Marca:** Conair

**Modelo:** CR310

**Descripción:** Plancha alisadora Unbound™

**Parte responsable:**

Conair Corporation,  
1 Cummings Point Road,  
Stamford, CT 06902  
(203) 351-9000

**Normas:** Normas de la FCC,  
Sección 15, subsección B  
ANSI C63.4-2014

Este artefacto cumple con la Sección 15 de la Normativa FCC. Su funcionamiento está sujeto a las dos condiciones siguientes:

(1) Este artefacto no puede causar ninguna interferencia perjudicial, y (2) Este artefacto debe aceptar cualquier interferencia recibida, incluso aquellas que pueden causar un funcionamiento no deseado.

**FECHA DE PUBLICACIÓN:** 14/1/2020

## RECICLAJE DE LA BATERÍA DE IONES DE LITIO

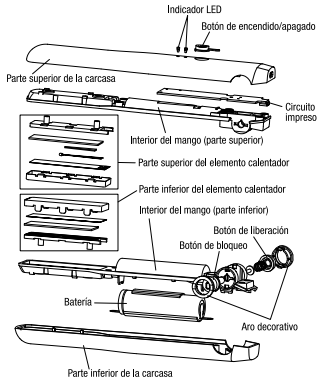
Este aparato contiene una batería de iones de litio. Para proteger el medio ambiente, esta batería debe reciclarse según las leyes vigentes al final de su vida útil. Para retirar la batería:

1. Desenchufe el aparato.
2. Abra el compartimiento de las pila y retire la batería.
3. Para proteger el medio ambiente, no tire la batería con el resto de la basura.

Para más información sobre las opciones de reciclaje disponibles en su región, por favor póngase en contacto con los servicios locales de eliminación de desechos.

**NOTA:** Este aparato contiene una batería recargable de iones de litio. Algunas compañías aéreas pueden imponer restricciones al transporte. Por favor, consulte con su compañía aérea.





ESTE APARATO CONTIENE UNA BATERÍA DE IONES DE LITIO, LA CUAL DEBE RECICLARSE SEGÚN LAS LEYES VIGENTES AL FINAL DE SU VIDA ÚTIL. NO LA TIRE CON EL RESTO DE LA BASURA.



## **INSTRUCCIONES DE MANTENIMIENTO**

Este aparato requiere poco mantenimiento. No necesita lubricación. Mantenga todos los orificios de ventilación y aberturas libres de polvos y pelusas. Cuando sea necesario limpiarlo, desenchúfelo, permita que se enfríe y limpie la carcasa con un paño humedecido. En caso de mal funcionamiento, desenchufe el aparato, permita que se enfríe y devuélvalo a un centro de servicio autorizado. No trate de repararlo.

### **PRECAUCIÓN**

**NUNCA** jale, retuerza ni doble mucho el cable USB. Nunca lo enrolle con fuerza alrededor del aparato; esto puede dañar la junta flexible que lo conecta al aparato, produciendo su rotura o un cortocircuito. Revise el cable con frecuencia para asegurarse de que no está dañado. Deje de usar el aparato inmediatamente si el cable está visiblemente dañado o si el aparato deja de funcionar, o funciona de manera intermitente.

## ALMACENAJE

El aparato incluye un estuche resistente al calor para uso durante y después del peinado. Durante el uso, no coloque el aparato sobre ninguna superficie sensible al calor, incluso cuando usa el estuche provisto. Después del uso, apague el aparato y desconecte el cable de carga del aparato y de la toma de corriente. Coloque inmediatamente el aparato en el estuche de almacenaje provisto y permita que se enfríe completamente. **No tiree ni retuerza el cable al nivel del enchufe.** No enrolle el cable alrededor del aparato. No deje el cable conectado al aparato para guardarlo. Siga manteniendo el aparato fuera del alcance de los niños, ya que seguirá caliente por varios minutos. Guarde el aparato en un lugar seco y seguro, fuera del alcance de los niños. Guarde unidad con placas bien cerradas para protegerlas.

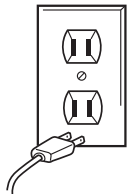
**¡IMPORTANTE!** El exterior del estuche de almacenaje no es resistente al calor; por lo tanto, no coloque el aparato en este material mientras esté caliente.

## LIMPIEZA Y MANTENIMIENTO

- No coloque este producto en un lavavajillas o en una lavadora para su limpieza.
- Este producto no es a prueba de agua. Durante la limpieza, tenga cuidado para evitar que el agua u otro líquido penetre en el producto por la abertura o la interfaz, lo que puede provocar un cortocircuito.
- Limpie el aparato después de cada uso para eliminar los residuos y la suciedad.
- Permita que el aparato se enfríe antes de limpiarlo o realizar cualquier trabajo de mantenimiento.
- No use disolventes/diluyentes ni limpiadores corrosivos, agresivos o volátiles para limpiar este producto.
- Limpie el exterior del producto con un paño suave humedecido con una pequeña cantidad de un detergente no irritante/volátil/inflamable. Luego, séquelo con un paño suave seco.

**ADVERTENCIA:  
SI CREE QUE NO HAY  
CORRIENTE CUANDO  
EL APARATO ESTÁ  
APAGADO,  
ESTÁ EQUIVOCADO.**

**MANTÉNGALO ALEJADO  
DEL AGUA**



Todos sabemos que no se debe mezclar la electricidad y el agua. Pero ¿sabía usted que un aparato eléctrico permanece bajo tensión, aunque esté apagado? Si está conectado, hay corriente. Por lo tanto, siempre desenchufe los aparatos eléctricos después del uso.

## **SIEMPRE DESENCHUFE LOS APARATOS PEQUEÑOS**

## **GARANTÍA LIMITADA DE DOS AÑOS (VÁLIDA EN LOS EE.UU. Y EN CANADÁ SOLAMENTE)**

Conair reparará o reemplazará (a su opción) este producto sin cargo por un período de 24 meses a partir de la fecha de compra si presenta defectos de fabricación o materiales.

Para obtener servicio técnico bajo esta garantía, devuelva el producto defectuoso al Centro de Servicio indicado en el reverso, junto con su recibo de compra. Los residentes de California solo necesitan dar una prueba de compra y deben llamar al 1-800-3-CONAIR para recibir instrucciones de envío. En ausencia del recibo de compra, el período de garantía será de 24 meses a partir de la fecha de fabricación.

**CUALQUIER GARANTÍA, OBLIGACIÓN O RESPONSABILIDAD IMPLÍCITAS, INCLUYENDO, PERO NO LIMITADAS A LA GARANTÍA IMPLÍCITA DE COMERCIABILIDAD Y APTITUD PARA UN PROPÓSITO ESPECÍFICO, ESTARÁN LIMITADAS POR LOS 24 MESES DE LA PRESENTE GARANTÍA ESCRITA.**

Algunos Estados no permiten limitaciones sobre la duración de una garantía implícita, de modo que las limitaciones mencionadas pueden no regir para usted.

**CONAIR NO SERÁ RESPONSABLE, EN NINGÚN CASO, POR NINGÚN DAÑO ESPECIAL, INCIDENTAL O CONSECUENTE DEBIDO AL INCUMPLIMIENTO DE ESTA O CUALQUIER OTRA GARANTÍA, EXPRESA O IMPLÍCITA.** Algunos Estados no permiten la exclusión o limitación de daños especiales, incidentales o consecuentes, de modo que las limitaciones mencionadas pueden no regir para usted.

Esta garantía le otorga derechos legales específicos y usted puede tener otros derechos que varían de un Estado a otro.